

# Barely Works Technology Station Architecture

C. Duncan, n5bf/6

Rev. 1.0

2012 August 24

# Key

Working  
Radio

→ RF, Coax

Test  
Equipment

→ Timing

Power

→ Power  
(PowerPoles)

Computer

Ready  
to  
install

→ Discrete

Not RF

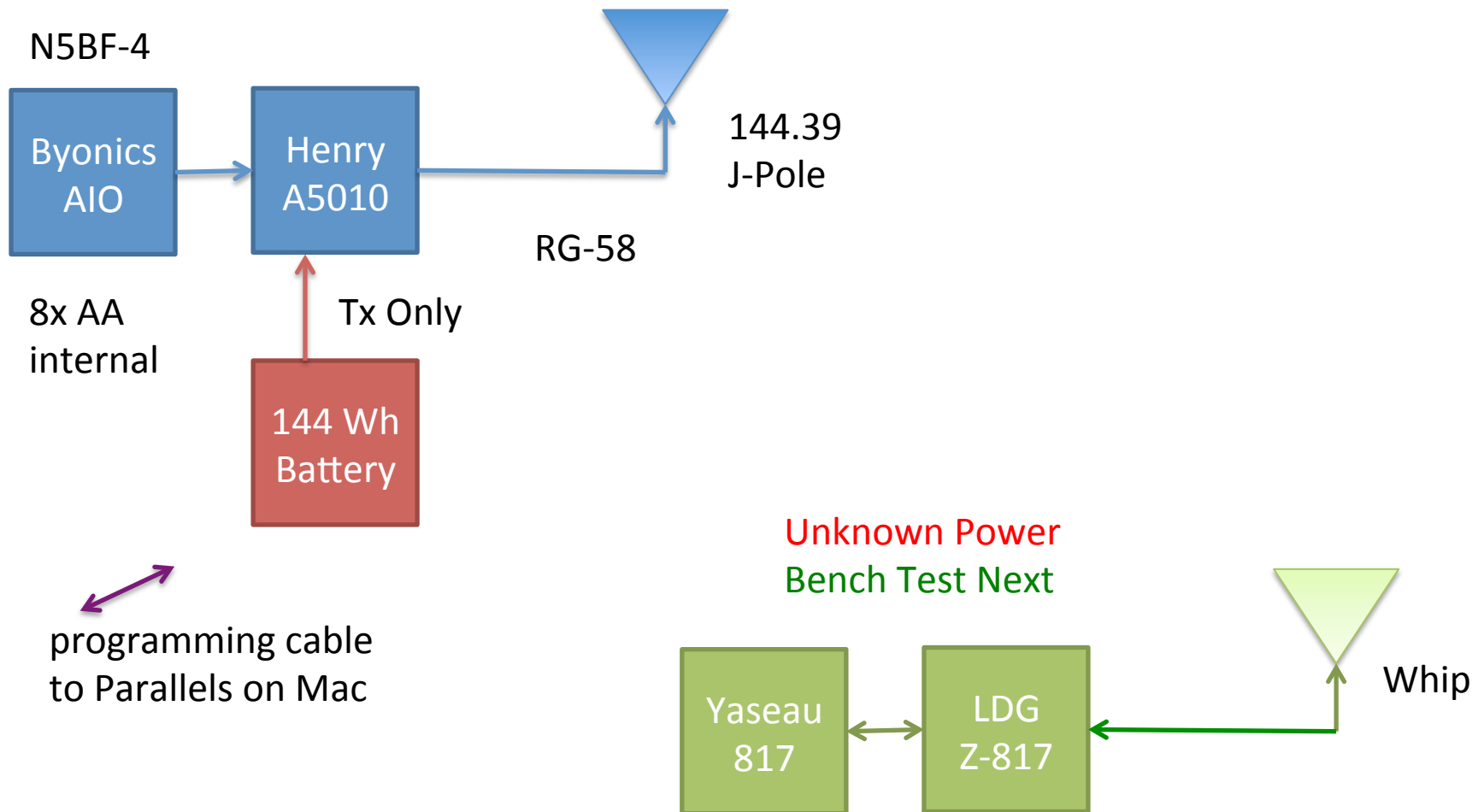
→ Network

Ready  
to  
Build

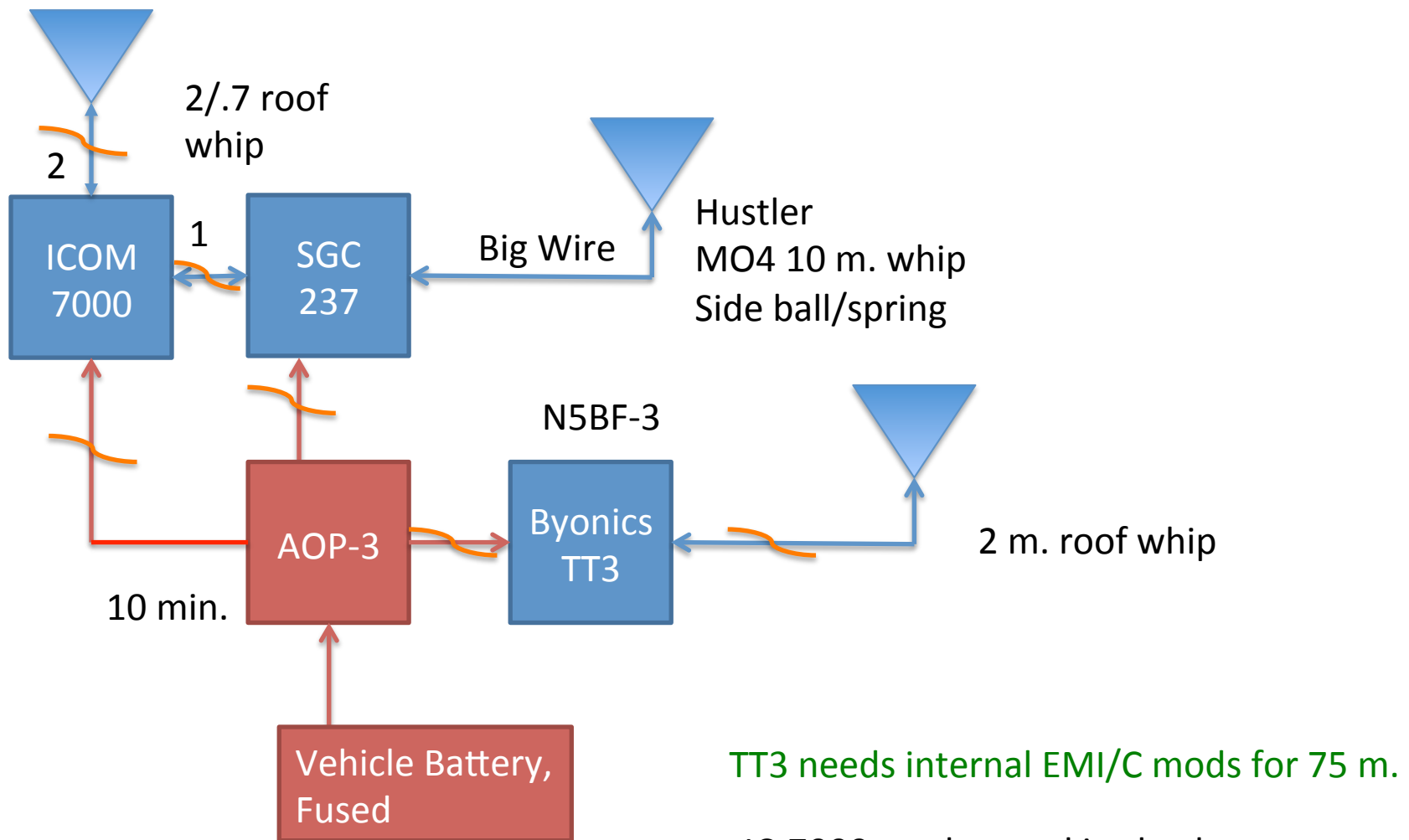
Planned

→ Thru Wall

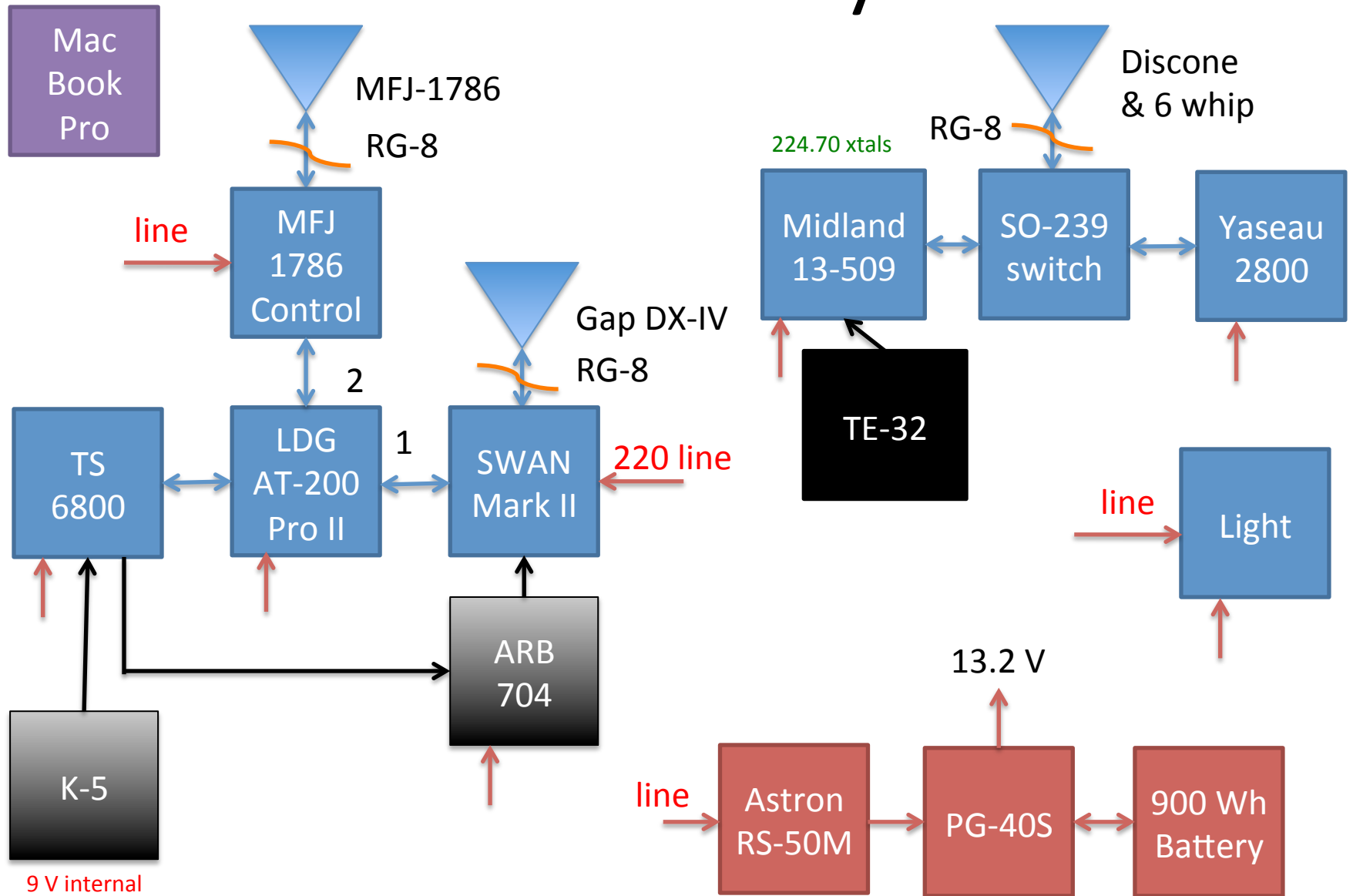
# Ryan Recumbent



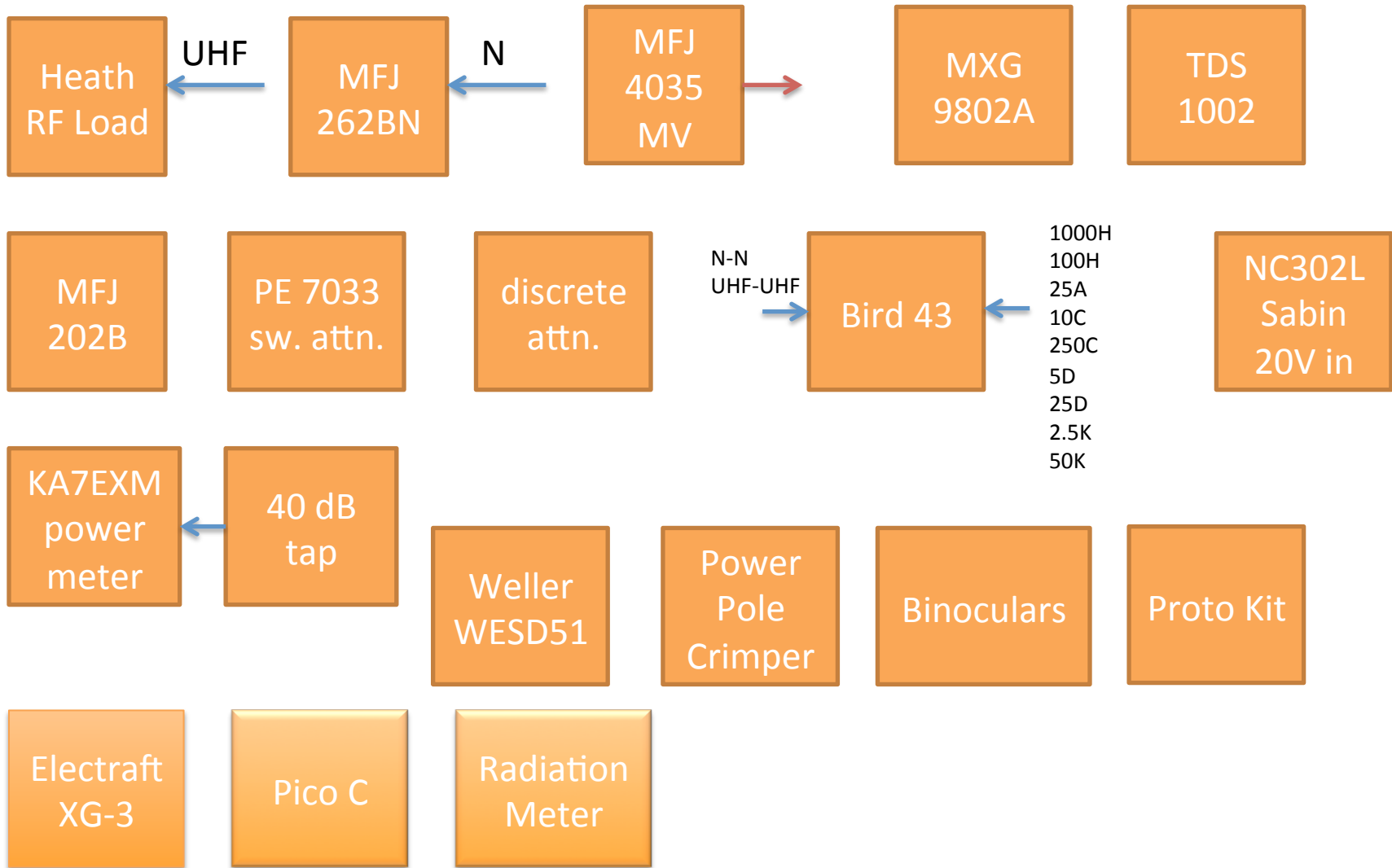
# Toyota Tacoma



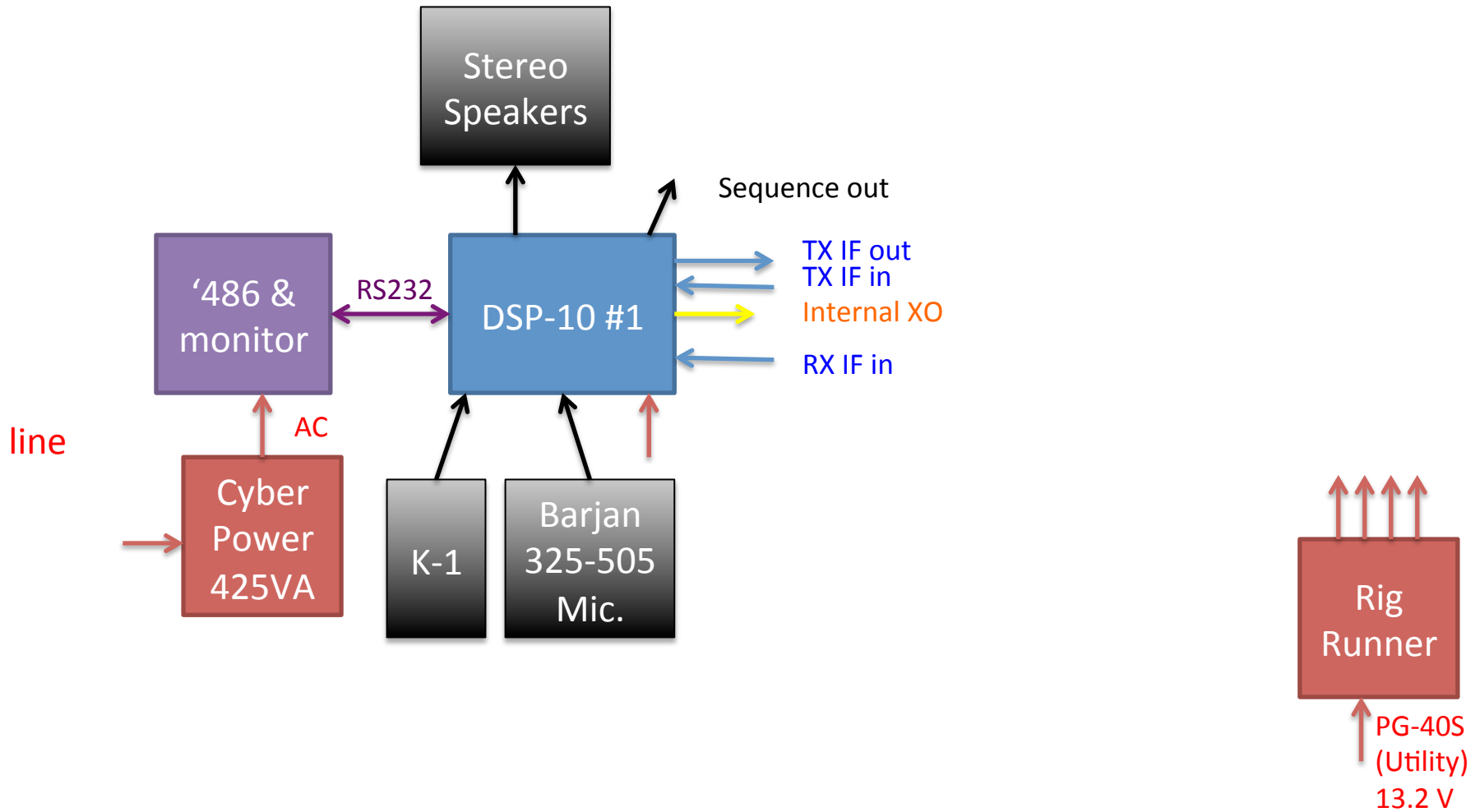
# Shack Utility



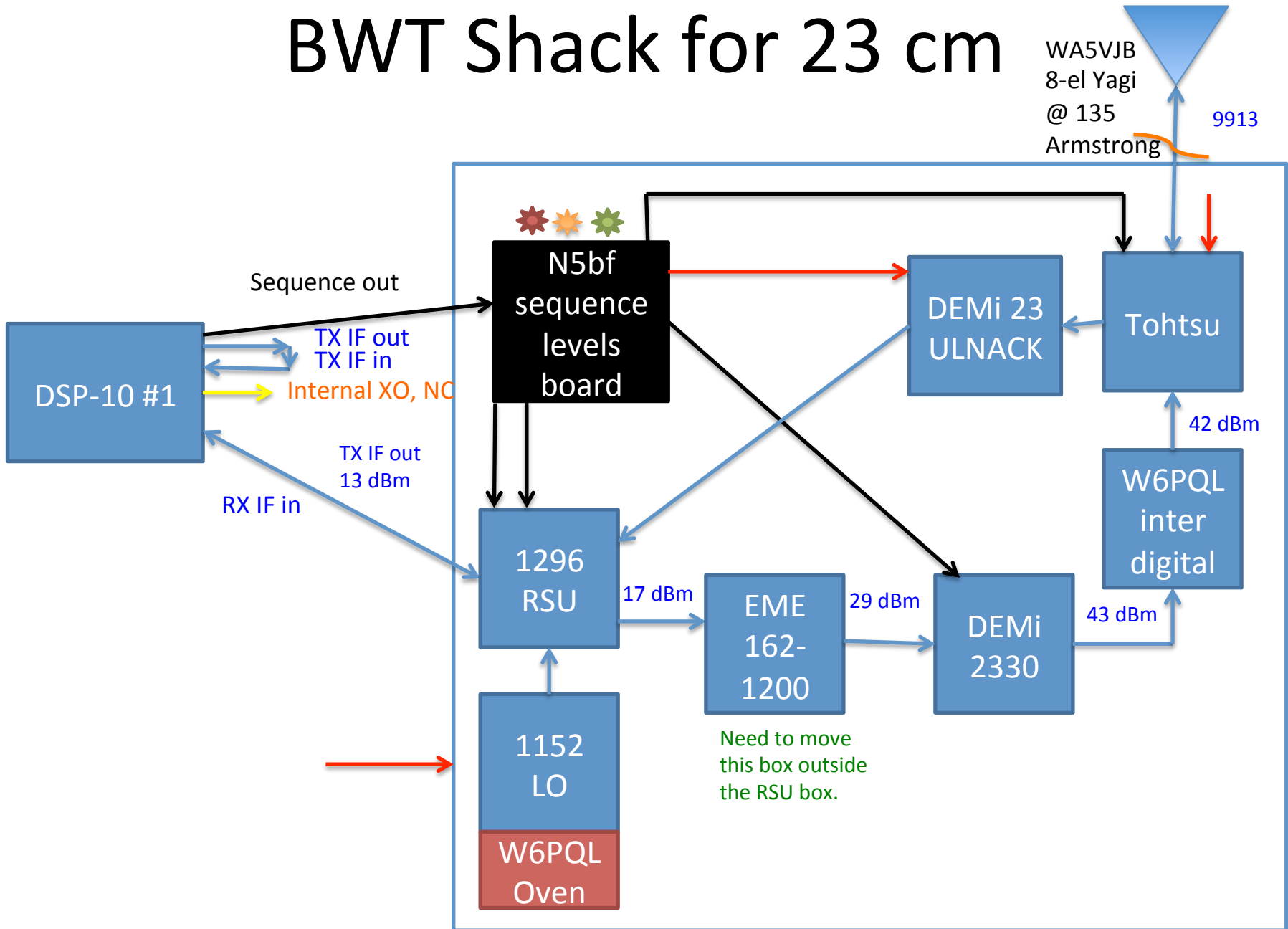
# Test Equipment



# BWT Shack IF

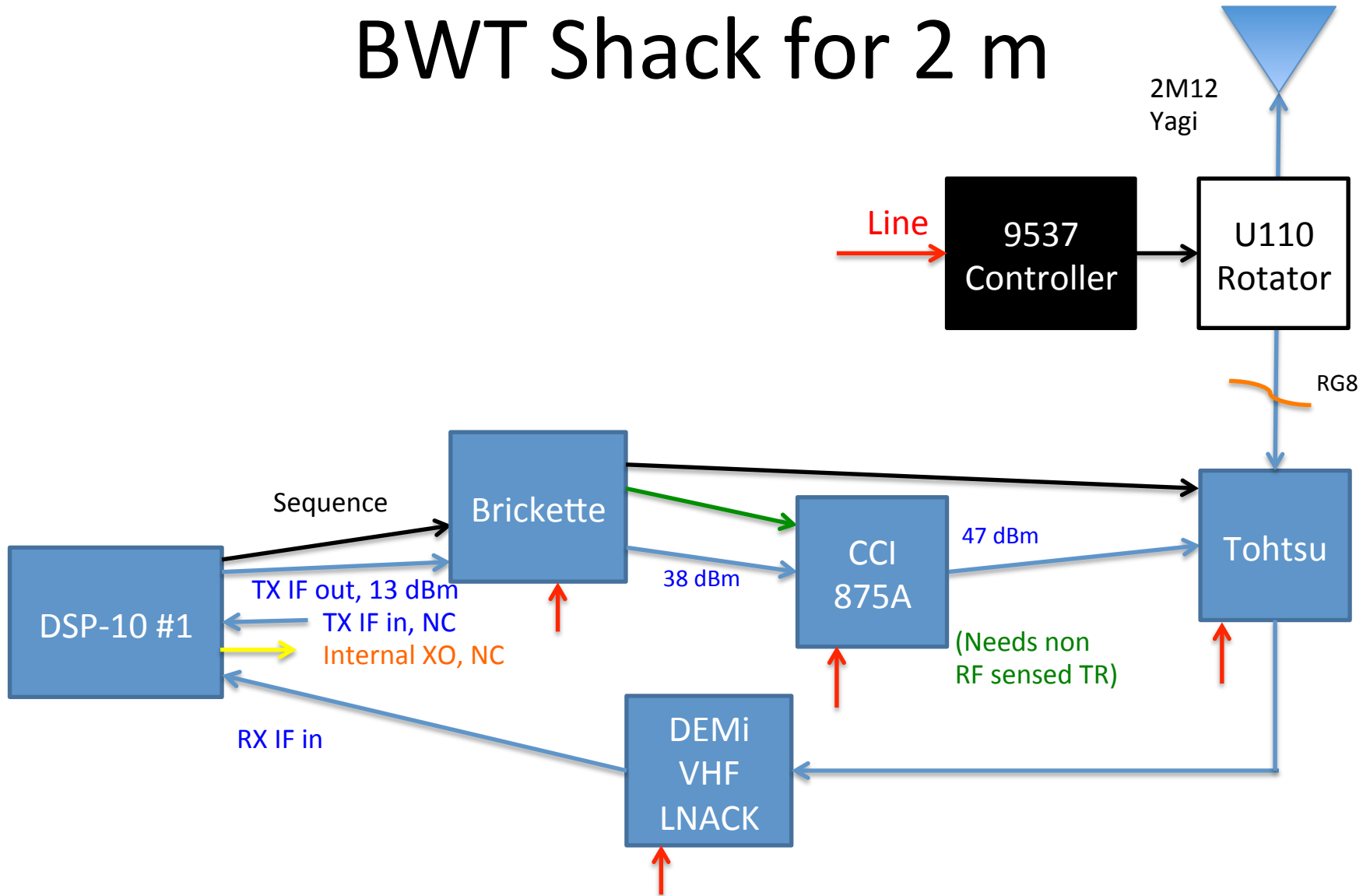


# BWT Shack for 23 cm

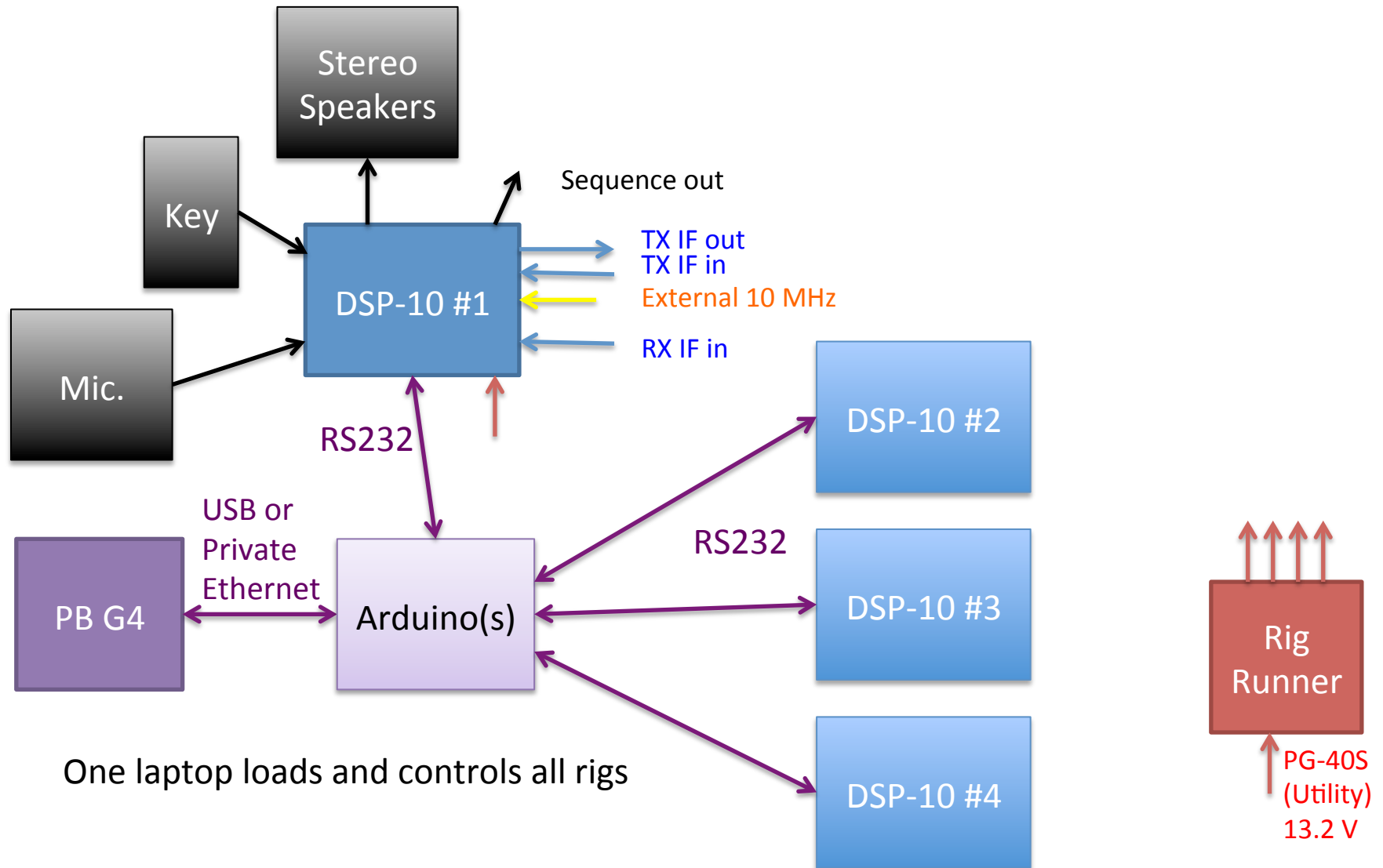




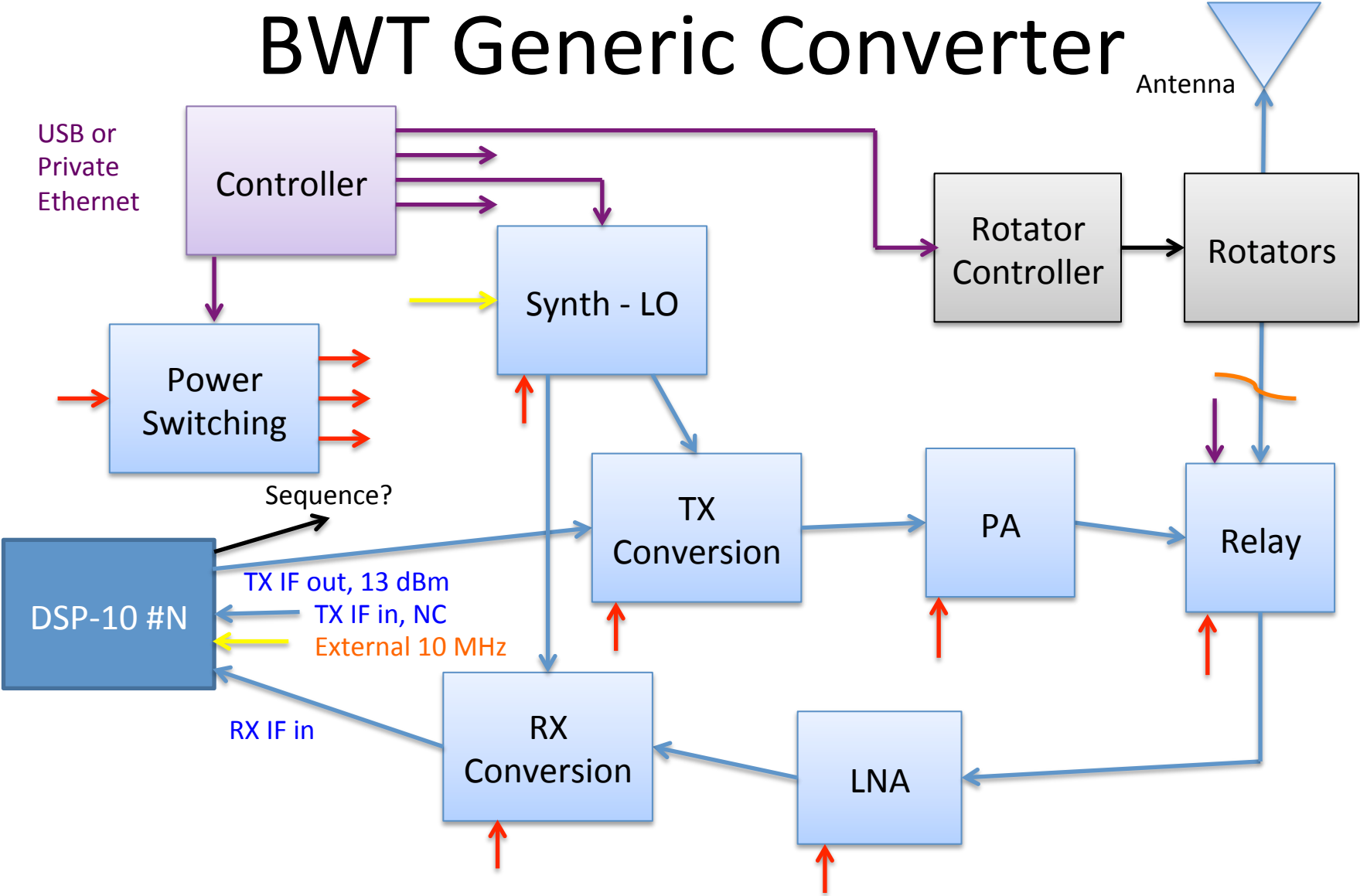
# BWT Shack for 2 m



# BWT Shack IF Plan



# BWT Generic Converter



# 10 MHz System

